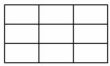


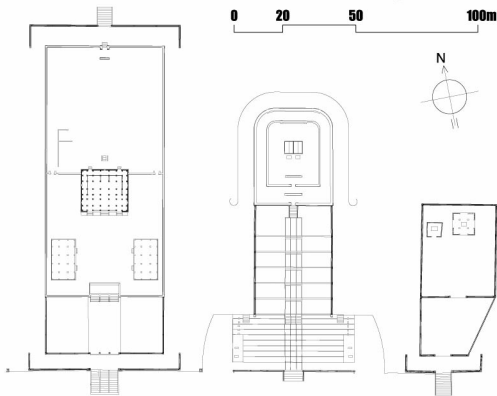
# Imperial Mausoleums

## Lăng của vua



- 1,4,5 The 'Gia Long De Lang' Mausoleum
- 2 The 'Minh Mang De Lang' Mausoleum
- 3 The 'Thieu Tri De Lang' Mausoleum
- 6 The 'Tu Duc De Lang' Mausoleum
- 7 The 'Duc Duc De Lang' Mausoleum
- 8 The 'Dong Khanh De Lang' Mausoleum
- 9 The 'Khai Dinh De Lang' Mausoleum

0 20 50 100m



The 'Gia Long De Lang' Mausoleum (

### ❖ Introduction

In Hue there are seven mausoleums belonging to the seven respective emperors of the Nguyen Dynasty, planned and constructed on the southwest hilly regions of the Citadel: namely, Gia Long (嘉隆), Minh Mang (明命), Thieu Tri (紹治), Tu Duc (嗣德), Duc Duc (育德), Dong Khanh (同慶) and Khai Dinh (啓定). Each mausoleum has dozens of splendid monuments in perfect harmony with the poetical natural environment.

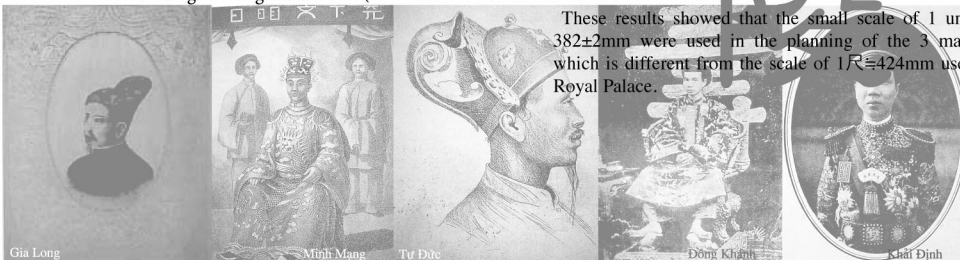
### ❖ Purpose of the research

For understanding the feature of design techniques among the imperial palace of Hue and the imperial mausoleums, Waseda University and HMCC have researched these mausoleums with optical measuring machines.

### ❖ Planning and Scale

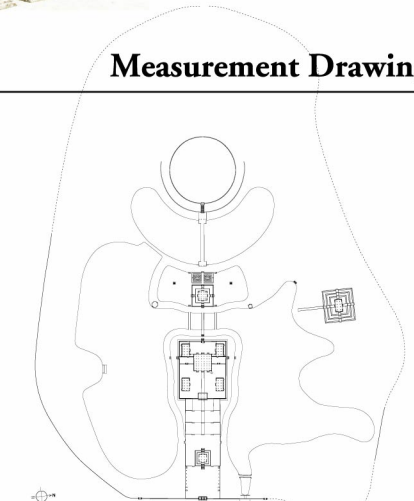
Research results, using the optical measuring machines (for the first time in history), have found similarities of scale used in the planning and measurements of the 3 mausoleums (The 'Gia Long De Lang' Mausoleum, The 'Minh Mang De Lang' Mausoleum, The 'Thieu Tri De Lang' Mausoleum).

These results showed that the small scale of 1 unit (尺) = 382±2mm were used in the planning of the 3 mausoleums which is different from the scale of 1尺=424mm used for the Royal Palace.

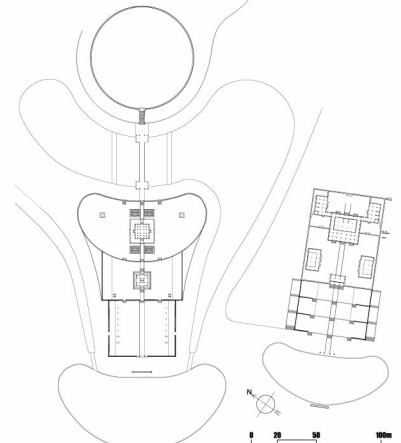


Gia Long Minh Mang Tu Duc Dong Khanh Khai Dinh

## Measurement Drawings



The 'Minh Mang De Lang' Mausoleum (



The 'Thieu Tri De Lang' Mausoleum (